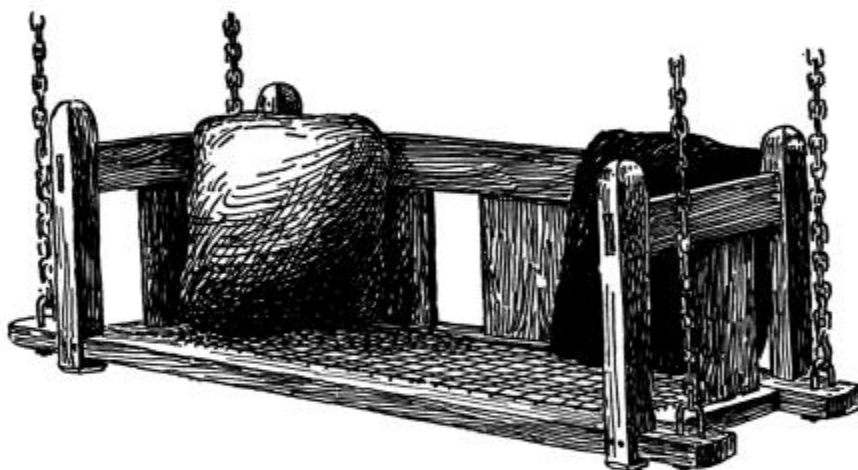


HOME TRAINING IN CABINET WORK. PRACTICAL EXAMPLES OF STRUCTURAL WOOD WORKINGS: EIGHTH OF THE SERIES

SWING SEAT

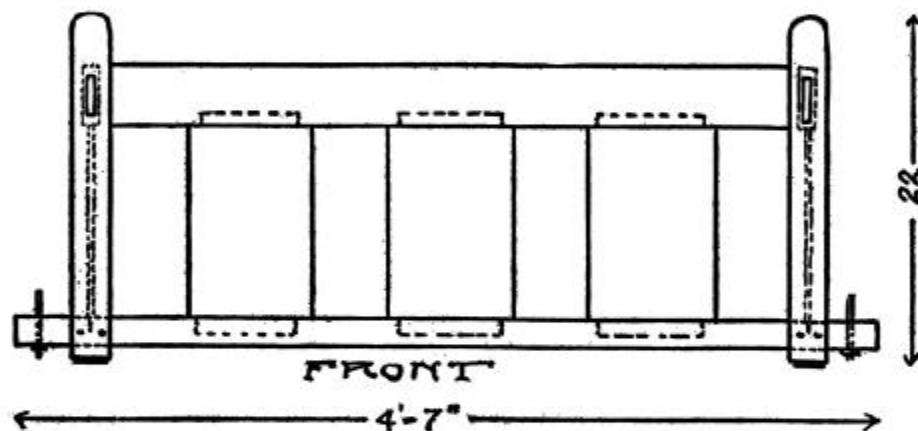
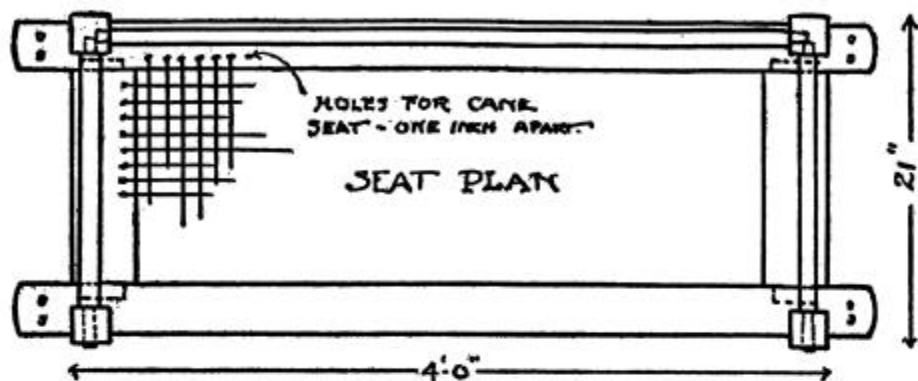
A swing seat made on the lines of this one is a very simple piece to construct. The posts are halved into the seat rails and fastened with two dowell pins. The back and end slats are tenoned into the seat rails and the seat itself is made comfortable by weaving in a bottom of cane. This will stand the weather, and if the swing were used on an exposed porch there would be no fear of warping as in a broad wood seat. Use oak or chestnut fumed brown for the wood with wrought iron chains.



MILL BILL OF LUMBER FOR HANGING BOOK SHELF

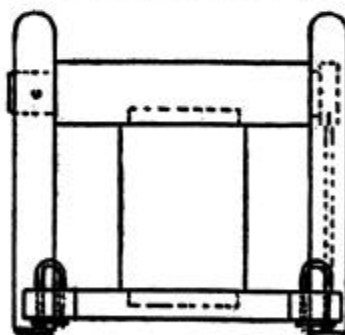
Pieces	No.	Long	Rough Wide	Thick	Wide	FINISH	Thick
Back posts	2	27 in.	3 $\frac{1}{4}$ in.	1 in.	3 in.		3 $\frac{1}{4}$ in.
Top of back	1	33 in.	6 in.	3 $\frac{1}{4}$ in.	pattern		1 $\frac{1}{2}$ in.
Center of back	1	14 in.	32 in.	3 $\frac{1}{4}$ in.	31 in.		1 $\frac{1}{2}$ in.
Lower rail back	1	33 in.	6 in.	3 $\frac{1}{4}$ in.	pattern		1 $\frac{1}{2}$ in.
Shelves	2	36 in.	6 in.	3 $\frac{1}{4}$ in.	5 $\frac{3}{4}$ in.		5 $\frac{1}{8}$ in.
End slats	4	14 in.	13 $\frac{1}{4}$ in.	1 $\frac{1}{2}$ in.	1 $\frac{1}{2}$ in.		3 $\frac{3}{8}$ in.
Brackets	2	6 in.	5 in.	1 in.	pattern		7 $\frac{1}{8}$ in.

HOME TRAINING IN CABINET WORK



DESIGN FOR A
SWING SEAT ≡

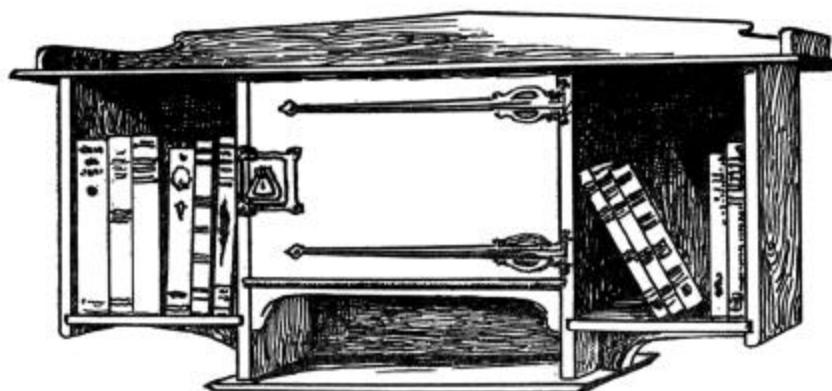
SCALE OF INCHES



HOME TRAINING IN CABINET WORK

WALL CABINET

THIS piece is very simple in construction, but an unusually graceful design. Its beauty is much enhanced by the work done with the gouge on the sharp curve that appears in the top line of the back, and that occurs again in the bracket under the door. As will be noted, the cutting is deep at the sharpest point of the curve, and fades away gradually as the curve flattens. The front edge of the small bracket underneath is also cut away. The edge of the shelf under the floor is rounded, and the top is shaped underneath into a very flat ogee moulding. The long strap hinges, which are good in design and clever in construction, are of hammered brass. This cabinet is very convenient as a storage place for valued trifles and also to hold a few favorite books.



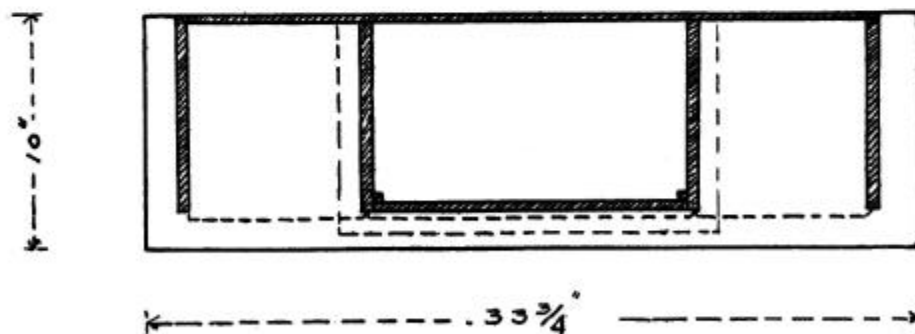
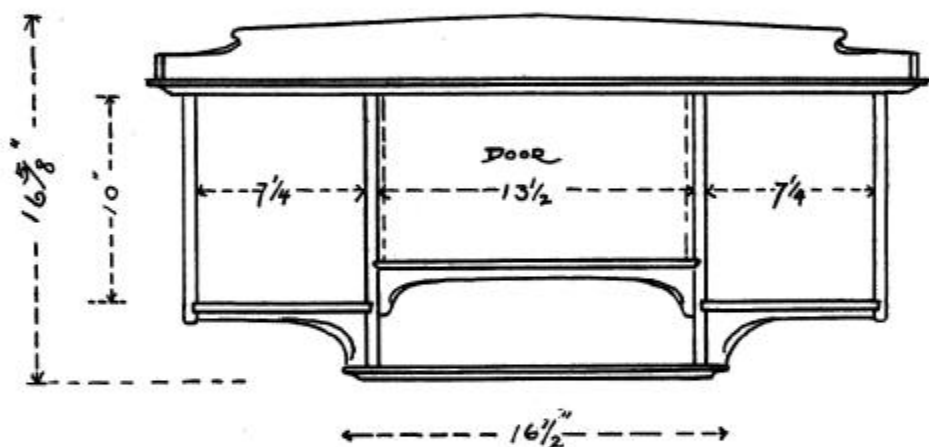
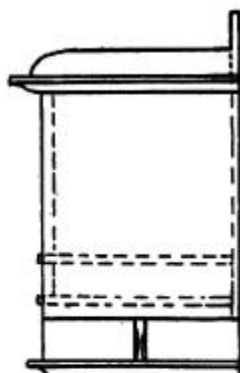
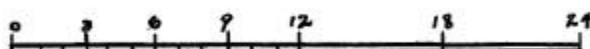
MILL BILL OF LUMBER FOR WALL CABINET.

Pieces	No.	Long	Rough Wide	Thick	Wide	FINISH	Thick
Top	1	35 in.	10½ in.	¾ in.	10 in.		½ in.
Top of Back.....	1	35 in.	3½ in.	½ in.	3 in.		⅜ in.
Top of end.....	2	9 in.	1½ in.	½ in.	1¼ in.		⅜ in.
Sides	2	11 in.	8¾ in.	¾ in.	8½ in.		½ in.
Partition	2	13 in.	8¾ in.	¾ in.	8½ in.		½ in.
Door	1	14 in.	8½ in.	½ in.	8¼ in.		⅜ in.
Cleat on door.....	2	8 in.	1¾ in.	½ in.	1½ in.		⅜ in.
Bottom of cupboard	1	15 in.	9 in.	½ in.	8½ in.		⅜ in.
Bottom of sides...	2	9 in.	9 in.	½ in.	8½ in.		⅜ in.
Bottom of shelf...	1	17 in.	9½ in.	½ in.	9 in.		⅜ in.
Back	1	13 in.	31 in.	½ in.	30 in.		⅜ in.
Cupboard bracket..	1	15 in.	2½ in.	½ in.	pattern		⅜ in.
Under bracket....	1	8 in.	3 in.	½ in.	pattern		⅜ in.

HOME TRAINING IN CABINET WORK

DESIGN FOR A WALL CABINET

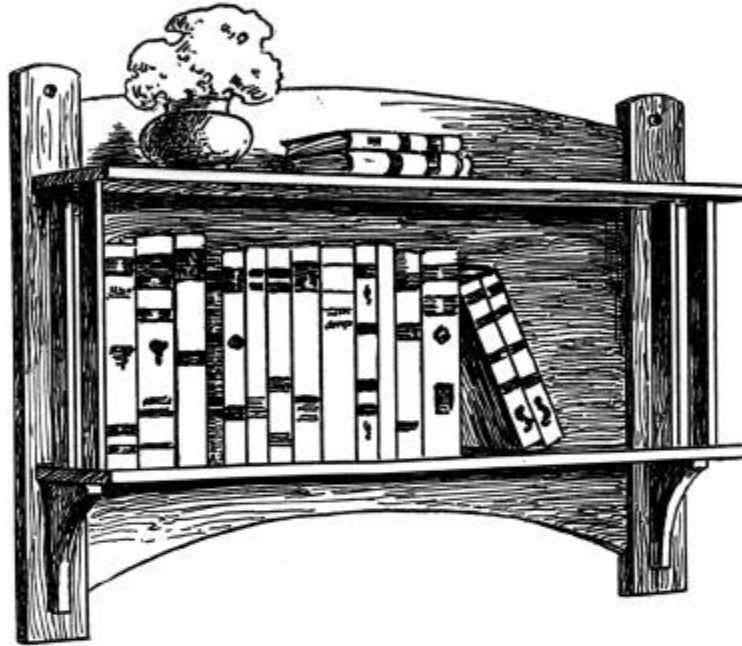
SCALE OF INCHES



HOME TRAINING IN CABINET WORK

HANGING BOOK SHELF

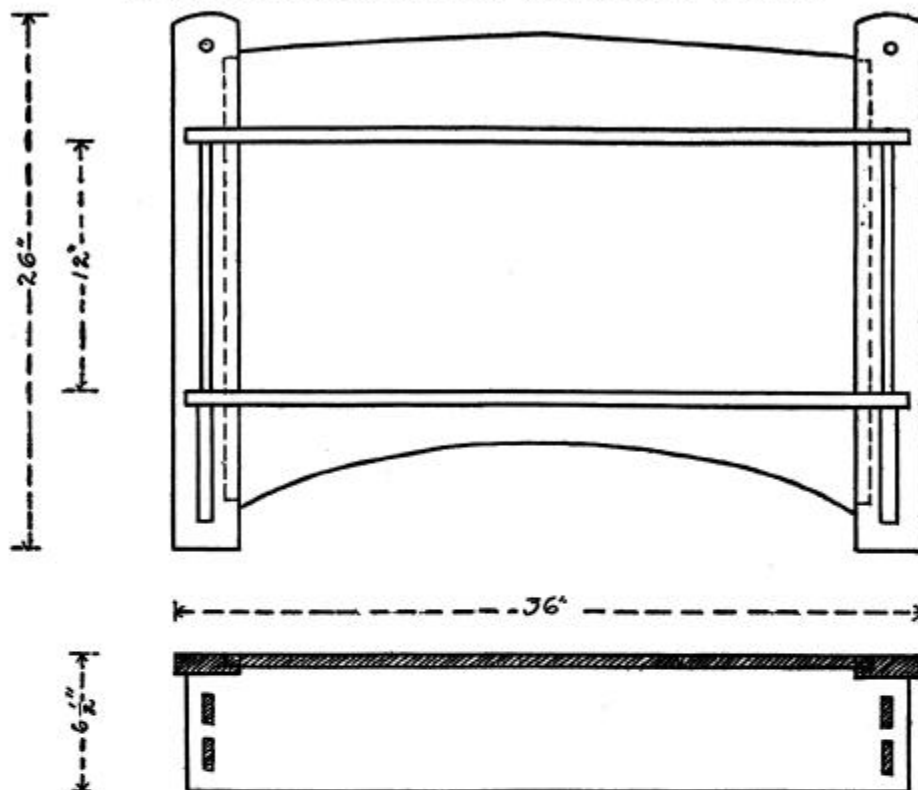
THIS is a very useful piece of house furniture that is simple and easy to build. The working drawing shows exactly the method of construction. The best method of fastening the piece together is to screw the shelves to the back, and to fasten the back itself with small round-headed screws. The convenience of this piece will be apparent at a glance. It may either be used as a book shelf, or to hold many other things, such as bottles and small toilet accessories in a sleeping room or bath room.



MILL BILL OF LUMBER FOR SWING SEAT

Pieces	No.	Long	Rough Wide	Thick	Wide FINISH	Thick
Post	1	23 in.	2½ in.	2½ in.	2¾ in.	2¾ in.
Back rail	1	48 in.	4¼ in.	1¾ in.	4 in.	1¼ in.
End rail	2	22 in.	4¼ in.	1¾ in.	4 in.	1¼ in.
Slats	5	15 in.	8¼ in.	¾ in.	8 in.	½ in.
Seat rails	2	56 in.	3½ in.	2 in.	3¼ in.	1¾ in.
End rails	2	17 in.	4¼ in.	2 in.	4 in.	1¾ in.

HOME TRAINING IN CABINET WORK



DESIGN FOR A
HANGING BOOKSHELF

SCALE OF INCHES

